

C | 4i

- x | ä ä
- x É 9 ÿ ß
- x ... a' y [% 4kV, » % 6kV
- x ¶•y' y 9' k v' k?è' k “
- x /6 9 ;2 tDÓ kBx~C Ú J ê Ë
- x 9+2< ÿ ß
- x U 9 è )RGYY / \*O\OYOUT .•«`
- x v Å'

C | 5 é

+;< 9^^^9: ©ç = É9Ü ~D}k¿ÿµ 98 <GIk ÄÄÝä äœfož  
 4©çD}© •%ÁçkxÔÁçkWJs°kãÔ°kñ«°Cè°^• ò—( ÄÝä |äk-Ø Û  
 Ó—(k'ñ •½kâÝªUä4D} U'Åkw•x4D} .xož¶•y' k ,... a' o• 9  
 ' o• v' o•?è' C “ k¾©'š44.D} —žl ôož

¹ Y æ =

Î Þ Ô 8	Î'Ô 8 ÿ	Î ÞÔ W ÿ	£ÜÎ Þ '	]'	´ d		¹ Y
					120Vac	220Vac	
12 Vdc	90 ~ 305 Vac	0~18.33 A	220 W	91.5%	0.99	0.93	EUV-250S012ST
24 Vdc	90 ~ 305 Vac	0~10.41 A	250 W	92.0%	0.99	0.96	EUV-250S024ST
28 Vdc	90 ~ 305 Vac	0~8.93 A	250 W	92.0%	0.99	0.96	EUV-250S028ST
36 Vdc	90 ~ 305 Vac	0~6.94 A	250 W	92.5%	0.99	0.96	EUV-250S036ST
42 Vdc	90 ~ 305 Vac	0~5.95 A	250 W	92.5%	0.99	0.96	EUV-250S042ST
48 Vdc	90 ~ 305 Vac	0~5.20 A	250 W	93.0%	0.99	0.96	EUV-250S048ST
54 Vdc	90 ~ 305 Vac	0~4.62 A	250 W	93.5%	0.99	0.96	EUV-250S054ST

l u g h ; 2 • š 9 8 y < G I ! ¿ U y < G I  
 g h y i Ú ^ y < G I ¿ ú  
 g h 9 + 2 < ÿ ß

Î'4i x

? d	£ 3 š	Ä¹ š	£ Ü š	Ô I
ÿ µ 9 8	< G I		< G I	
ÿ µ È ä 8	.		.	



P á é

? d

μ Ô Â x Ô

+ 3 9 x Ô	Ô I
EN 61000-4-2	Electrostatic Discharge (ESD): 8 kV air discharge, 4 kV contact discharge
EN 61000-4-4	Electrical Fast Transient / Burst-EFT
EN 61000-4-3	Radio-Frequency Electromagnetic Field Susceptibility Test-RS
EN 61000-4-5	Surge Immunity Test: AC Power Line: Differential Mode 4 kV, Common Mode 6 kV <sup>(2)</sup>
EN 61000-4-6	Conducted Radio Frequency Disturbances Test-CS
EN 61000-4-8	Power Frequency Magnetic Field Test
EN 61000-4-11	Voltage Dips
EN 61547	Electromagnetic Immunity Requirements Applies To Lighting Equipment

l u > á +3/ ö Ö k x 9 > • ° À © Ī %² B ä k - È ` ° À Ä € — Ö g +3/ ,¼ G • ož  
 ø g ó 9 y i ž y 9 Ü ~ ÿ μ € \$ H } y ' N a • • x á Y > y P K g ì k - } t ž Á a g " k Y  
 ... 2 Ü ~ Ä B H } y ' Á • @ • / + ) ož - y i è e k Y > y P K g ì · À t M •  
 x k Y Ê Ö ž + a ~ ... ' k w G ' P K g ì € \$ \$ • U ' Á N † ož

- w \* Ô t • Ž

EUV-250S012ST

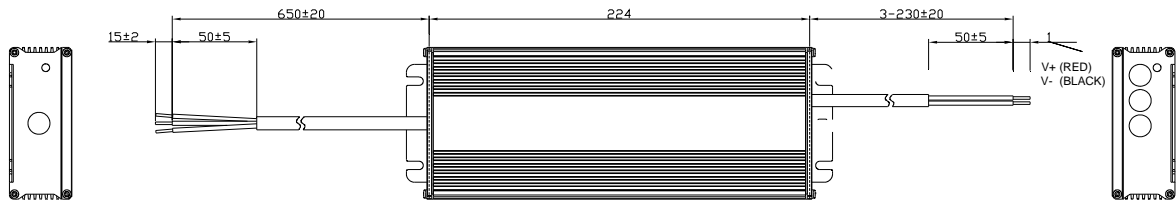
EUV-250S042ST

• õ x

? d	£ 3 š	À 1 š	£ Ü š	Ô I
v '	130% I <sub>o</sub>	165% I <sub>o</sub>	200% I <sub>o</sub>	ø+û % "ož { ž L " ž k Ê Ö ož
" "	Ê Ö % "ož " † " ž k U Ê Ö 3 ož			
? è '	? è ž k D } — C ož ? è † " ž k U Ê Ö ož			
9 '	ÿ ß 9 k ' ò " • 8 Ä ož			

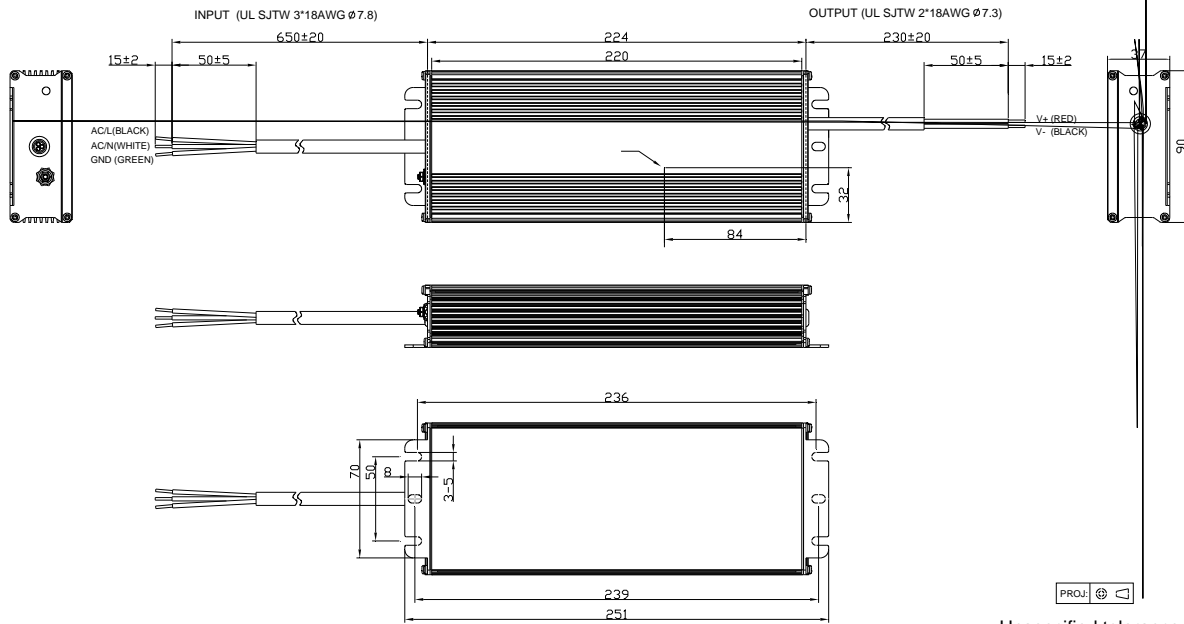
2 Ä ç

EUV-250S012ST



= /6 5 8 Ô/

EUV-250S048/054ST



Unspecified tolerance:±1

' [ b ç

' X • N	• -	' X 5 é		
		• ù	Q	è
2012-02-28	A	G g	/	/
2012-06-12	B	Ñ ã £	/	¾ •
		EN61000-4-5	line to line 2 kV, line to earth 4 kV	line to line 4 kV, line to earth 6 kV
		. x ¼ ç	/	í
		Vo=52V, 56V, 60V, 84V, 105 V & 150V ° Z	/	í "
2012-7-12	C	Â Ý Ó "	/	í
2012-7-12	E	Í Î ' é 6 † Í ' 4%²		
2012-11-15	F	24V, 28V, 36V, 42V   ä	/	' 0.5%, 1.5% or 2%
		W • " †	-35	-40
		' Ì ¼ ç	/	¾ •
2013-02-26	G	42V, 48V, 54V   ä	/	' 0.5%
2013-03-11	H	v '	110%, 155%, 180%	130%, 165%, 200%
2013-04-02	I	~ ...	50A	150A
		PF Â 4 › y THD Â Ý ›	/	• í
		Ó "	/	• í
		. x	/	¾ •
		. x ¼ ç	/	¾ •

ÿ µ v @100Vac



