



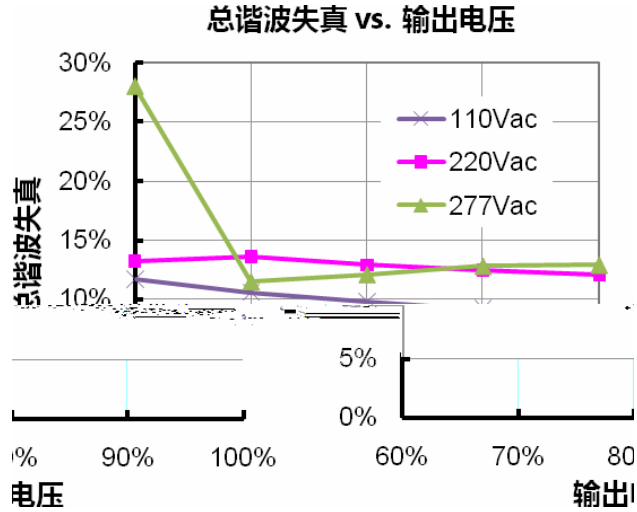
	-	-	65 A	
	-	-	1 A2s	

	-5%	-	5%	
	-	-	2.0% V <sub>O</sub>	
			1%	
			2%	
	-	0.6 s	1.2 s	
	-	0.3 s	0.6 s	
	-	-	10%	
	-	-	5% V <sub>O</sub>	
	-	-	10 mS	
		/ C		

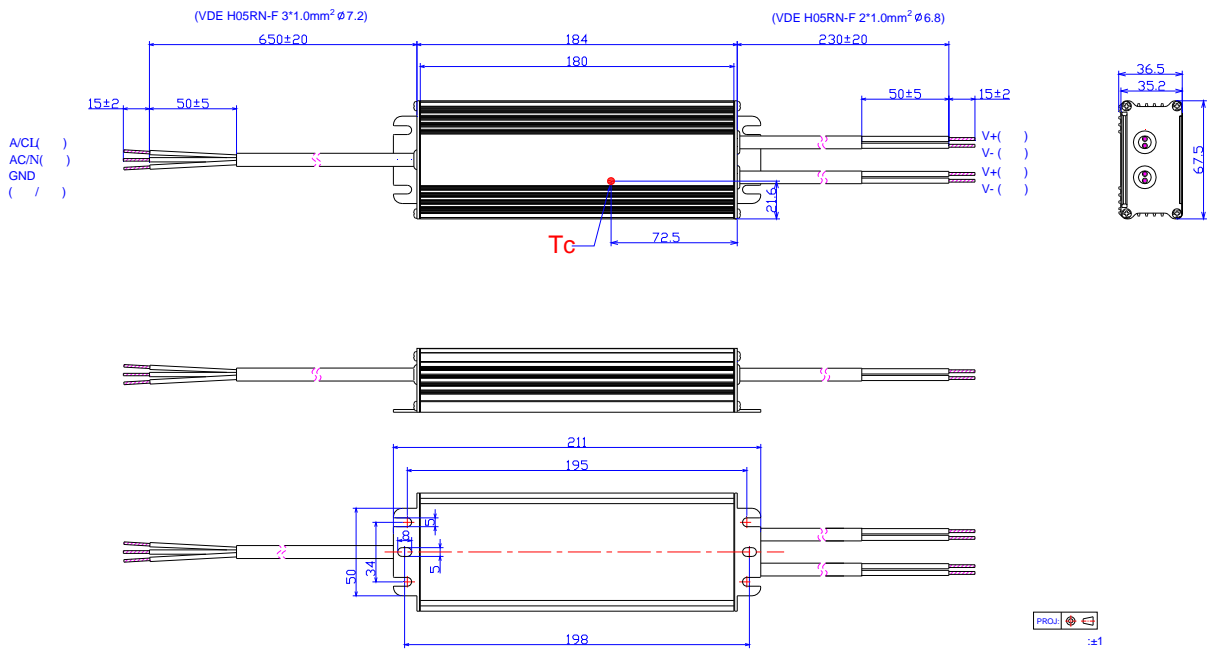
V <sub>O</sub> = 12 V	14 V	15 V	16 V	
V <sub>O</sub> = 24 V	27 V	30 V	34 V	
V <sub>O</sub> = 36 V	40 V	47 V	50 V	
V <sub>O</sub> = 48 V	54 V	59 V	63 V	
	110% I <sub>O</sub>	135% I <sub>O</sub>	195% I <sub>O</sub>	
	-	110 C	-	

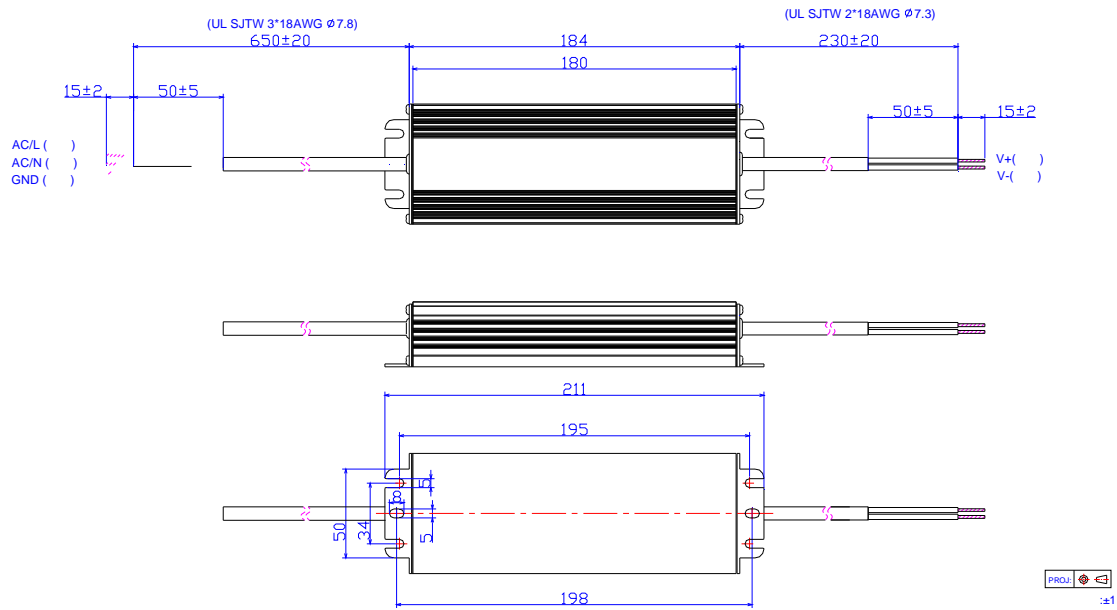






## EUV-100S012SV





		V <sub>O</sub> = 12 V	MIN	TYP	MIN	TYP
		V <sub>O</sub> = 24 V	86%	89%	87%	89%
		V <sub>O</sub> = 36 V	88%	91%	88%	90%
		V <sub>O</sub> = 48 V	88%	90%	88%	90%
		V <sub>O</sub> = 54 V	88%	91%	88%	90%
			MIN	TYP	MIN	TYP
		V <sub>O</sub> = 12 V	89%	91%	89%	91%
		V <sub>O</sub> = 24 V	91%	93%	90%	92%
		V <sub>O</sub> = 36 V	91%	93%	90%	92%
		V <sub>O</sub> = 48 V	91%	92%	90%	92%
		V <sub>O</sub> = 54 V	91%	92%	91%	92%
			1.5% V <sub>O</sub>		2.0% V <sub>O</sub>	
			1.0 s		1.2 s	
			Min 50,000 Hrs@65		Typ 113,000 Hrs@60	

